

For Product Step File or 3D Model Send a Request Mail To info@nrack.com

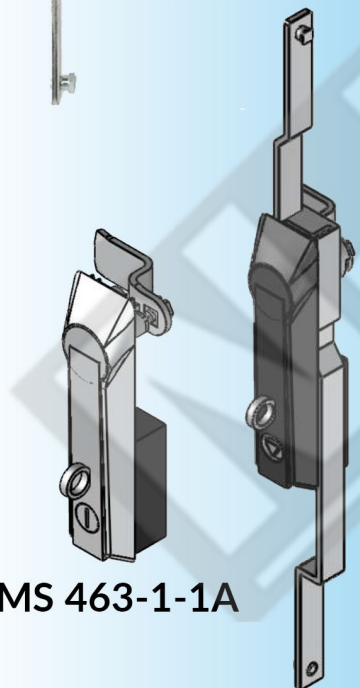
Key Locks



Photo View



3D Rendered View



MS 463-1-1A

MS 463-1-2BG

- Material: Zinc die-casting body and handle , Zinc plating cam
- Panel thickness: 1.5~2mm
- Remark: cam cutout $\square 8 \times 8$

Panel Locks

Plane Locks

3Point Locks (Round & Flat)

Handle & Knobs

Hinges

Airvents

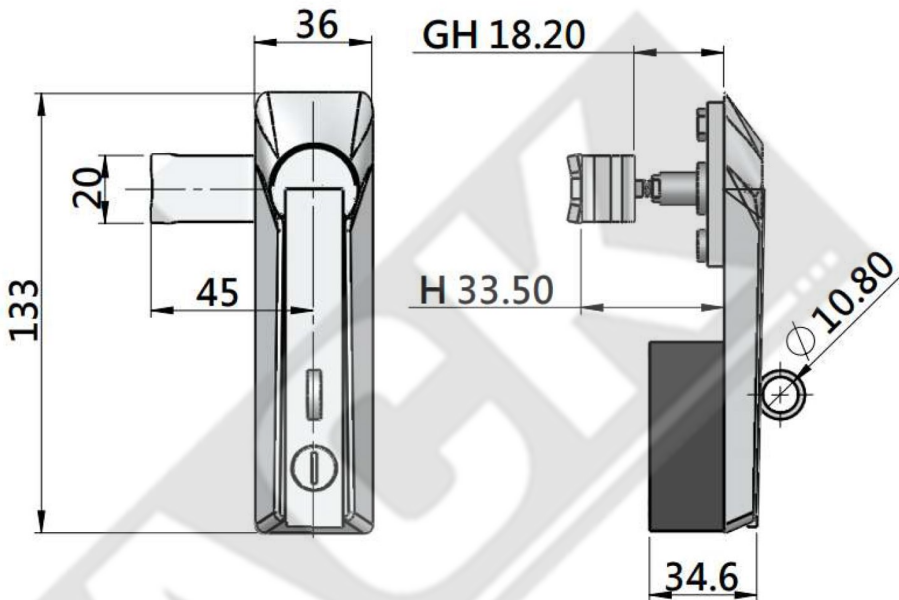
Gasketing

Canopy Locks

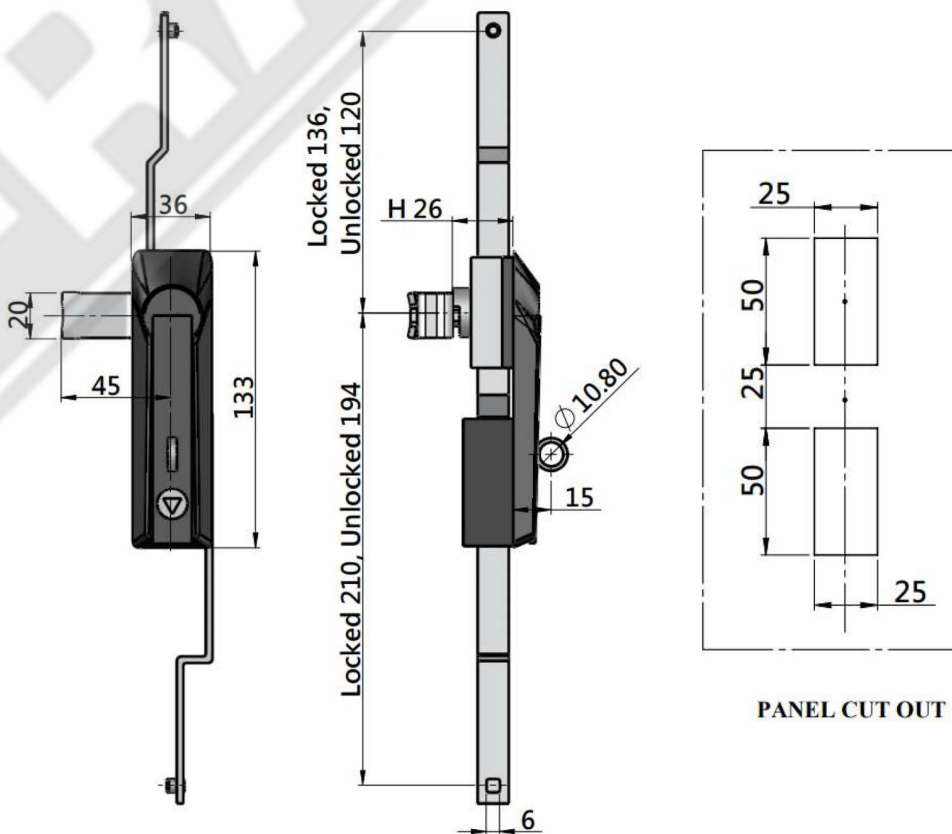
Other Accessories

Stainless Steel

MS 463-1-1A



MS 463-1-2BG



PANEL CUT OUT